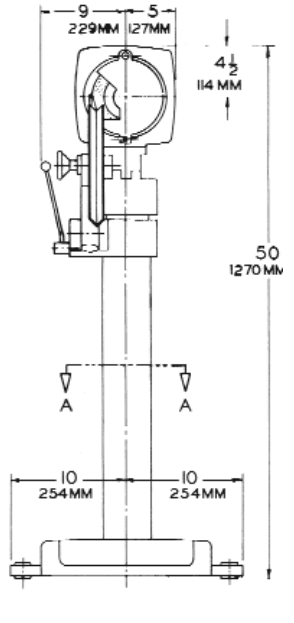
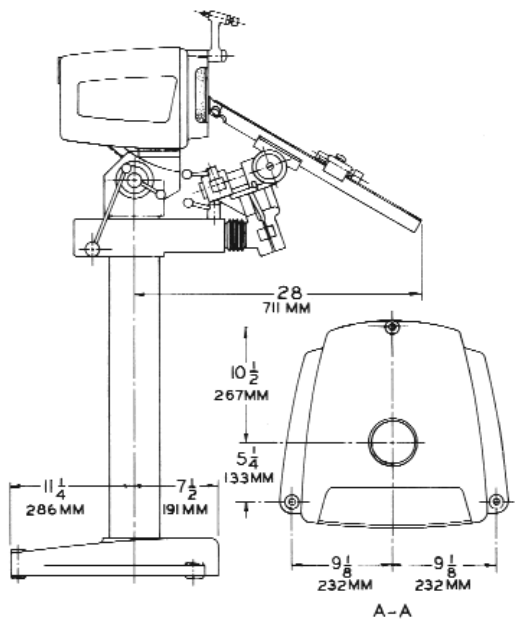
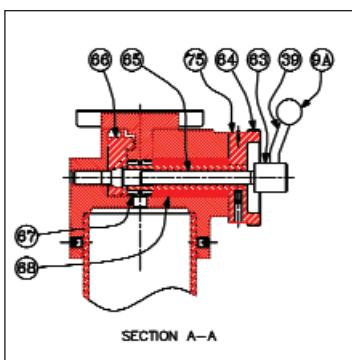
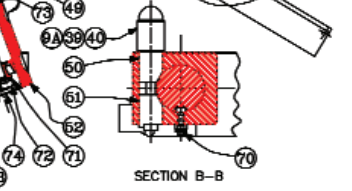
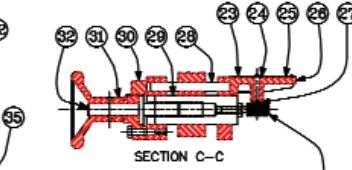
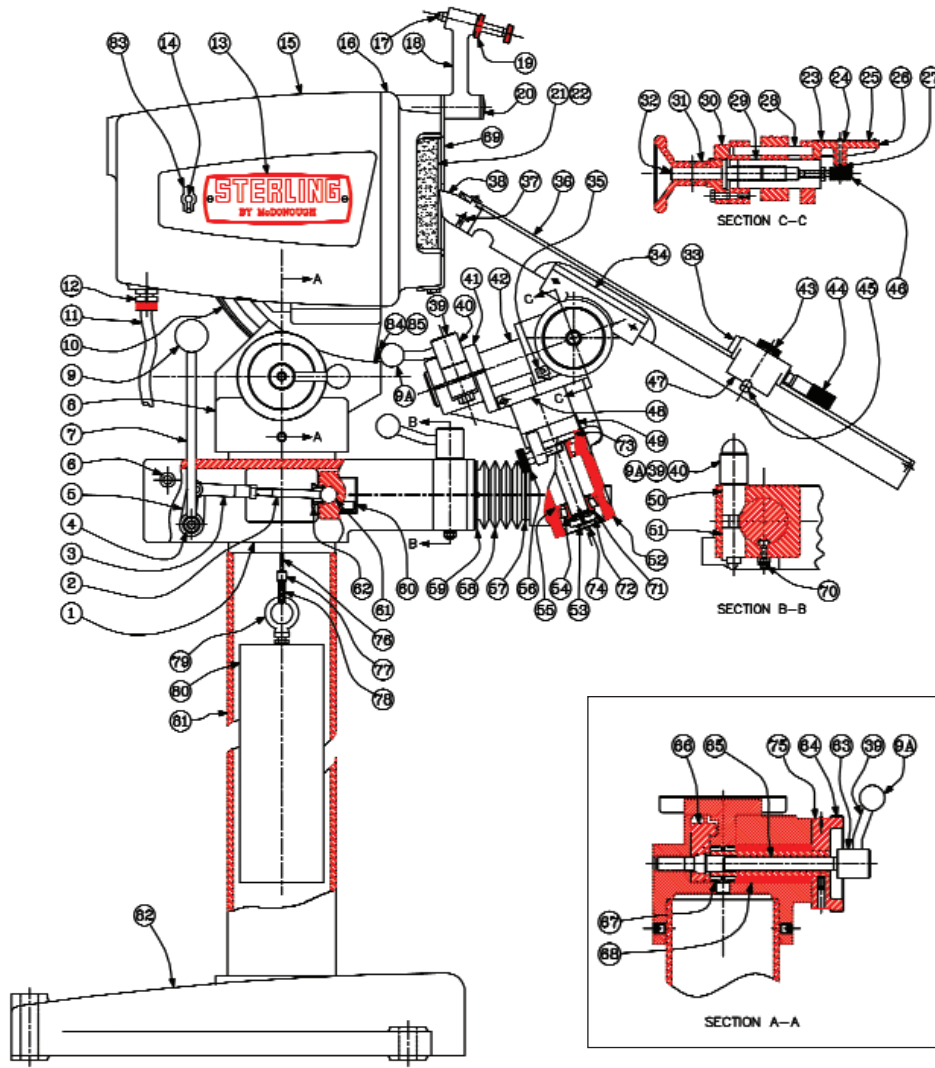


PARTS LIST



DIMENSION AND WEIGHT

Height	Space	Net Weight	Gross Weight
50"	24" x 48"	345 lbs.	420 lbs.

(Model DBF & DF discontinued. Parts still available.)

Symbol	Part #	Name
1	DV212	PIPE BRACKET
2	DB103-7	LINK STUD
3	144242	CLEVIS
4	DB103-5	LEVER SHAFT
5	DB103-6	CRANK ASSEMBLY
6	DV214	DRILL STOP HOLDER
7	DB103-4	LEVER ROD
8	DV206A	TILT BRACKET
9	200323	1-3/8" DIA. PLASTIC KNOB
9A	113 1" Knob	1" DIA. PLASTIC KNOB
10	DV204A	SLIDE BRACKET
11	200285	POWER CORD, 16/3 SJT, 9'
12	2521	3/8" CORD GRIP
13	DV201-2	DIE CAST NAMEPLATE
14	200284	TOGGLE SWITCH
15	DV201	MOTOR HOUSING
16	DB102	WHEEL GUARD
17	DB-3	MOUNTED DIAMOND
18	V119A	DRESSER ARM
19	DV219	LOCK NUT
20	G53B-4	DRESSER STUD
21	DC570	6X1-1/2X1/2 STR. CUP WHEEL
22	G47-A1	ARBOR COLLAR
23	DB104	CLEARANCE POINTER
24	DB12F	DIAL SPRING
25	DB105A	CLEARANCE DIAL
26	DB12B	DIAL BRACKET
27	DB12E	PINION
*28	DB16	GUIDE PIN
*29	G46-1	ADJUSTING SHAFT
30	V103	ADJUSTING COLLAR
31	DB15A	#3 HAND WHEEL
32	G141-2	ADJUSTING SCREW
33	V115	FOLLOWER PLATE ASSEMBLY
*34	V114	DR. HOLDER BRKT
35	G47-2B	POINTER
36	DV213	DRILL HOLDER (22", 30", 36")
37	302050	8-32 N.C. X 1/4 RD. HD. MC. SCR.
38	DV45	DR. STOP - 45 DEGREE
38	DV50	DR. STOP - 50 DEGREE
38	DV55	DR. STOP - 55 DEGREE
38	DV59	DR. STOP - 59 DEGREE
38	DV65	DR. STOP - 65 DEGREE
38	DV70	DR. STOP - 70 DEGREE
39	DB11B	CLAMP HANDLE
40	DB11A	CLAMP BODY
41	V111C	ANGLE BRACKET
*42	V112	CROSSHEAD
43	G44-2A	DRILL SLIDE LOCK
44	263P	MICROMETER HEAD (MODEL 263P)
45	DB21	GIB - 3/8 DIA. X 3/8 LG.
46	DB12D	CIRCULAR RACK
47	V91B	DRILL SLIDE
48	DV215	DR. DIAMETER GA.
49	DV218	SWING STOP
50	G60A	LOCK
51	G60B	LOCK
52	V99DA	SHAFT HOLDER
53	G48-3A	PIVOT SHAFT
54	TIMKEN LM119	TIMKEN CUP (LM11910) & CONE (LM11949)
55	5131-50	TRUARC RING
56	G46-2	ADJUSTING SCREW
57	A36	CORBIN HOSE CLAMP
58	DB103-2	NEOPRENE BOOT
59	DB103-3	RETAINING RING
60	DV220	SERIAL NO. PLATE
61	DB32	11/16 DIA. STEEL BALL
62	DB66-1	BALL RETAINER
63	DV210	CLAMP BODY (DB11A)
64	DV205A	TILT HAND WHEEL
65	DV207A	CLAMP STUD
66	DV208A	CLAMP
67	DV209A	TILT PINION
68	BB1624-24	B1624-24-BZ. BUSHING
69	DB62-1	WHEEL FACE GUARD
70	1/4-20X1	SQ. HEAD MACHINE BOLT W/ LOCK NUT
71	W03	LOCK WASHER
72	N03	LOCKNUT
73	10050	OIL SEAL
74	5425	1-15/16 PLUG
75	DV205A-2	TILT GAGE
76	DV232	1/8" TYPE 7 X 19 - FLEXIBLE CABLE
77	18-3M	CABLE SLEEVE
78	AN100-4	1/8 CABLE THIMBLE
79	5/16" #2	WILLIAMS 5/16" #2 EYE BOLT W/ JAM NUT
80	DV232-1	WEIGHT
81	DV216	4" PIPE - 36" LONG
82	DV202	BASE
83	200320	LEGEND PLATE
84	DV219-2	WIPER PLATE
85	WIPER FELT	WIPER FELT

*Some parts are ONLY supplied as a complete assembly

